

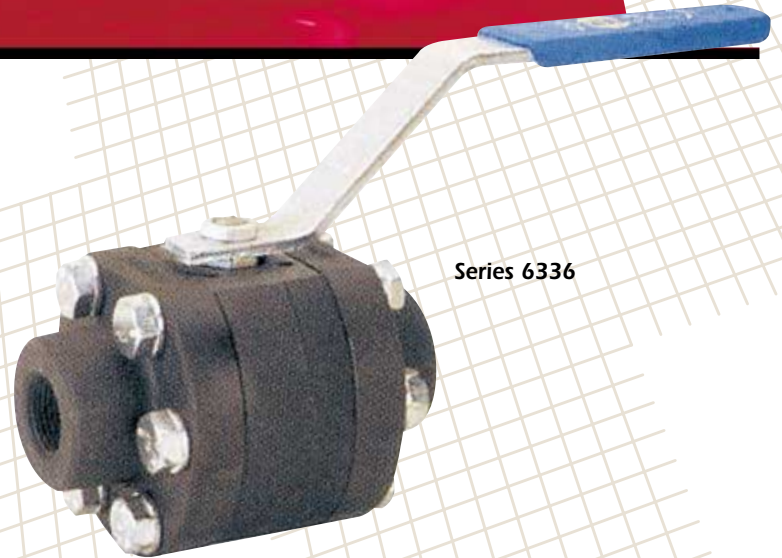
PBV® Mega Star Series

The PBV® Series 6336 Threaded Ball Valves

Standard Features

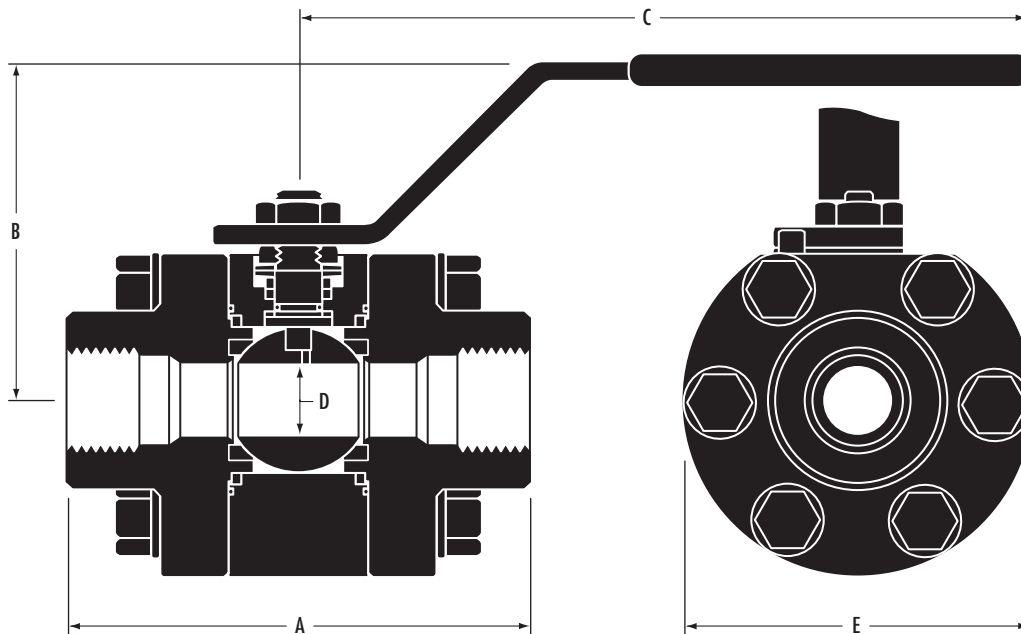
Series 6336: Full Port 1/4" thru 2", 6000 psi

- Encapsulated Devlon® seats
- Three piece bolted construction
- Grafoil® packing
- Double body seals
- Firesafe to API 607
- NACE MR0175
- Available in forged A105 and F316 body materials, 316 Stainless Steel ball and stem
- Standard ISO 5211 mounting pad for valves 3/4" and larger



Series 6336

Dimensional Data (in.)



Series 6336, 1/4"-2" Full Port

Size (in.)	Dimensions						Wt. (lbs.)	
	A (Thrd)	A (SW)	B	C	D	E	Thrd	SW
1/4	4.00	8.50	3.35	7.60	.44	3.15	6.6	8.9
3/8	4.00	8.50	3.35	7.60	.44	3.15	6.6	8.9
1/2	4.00	8.50	3.35	7.60	.44	3.15	6.6	8.9
3/4	5.00	9.00	3.75	7.60	.61	3.85	2.25	14.4
1	5.50	10.00	4.33	8.85	.83	4.33	14.4	17.8
1 1/4	6.70	11.00	5.50	13.75	1.34	5.32	30.0	36.5
1 1/2	6.70	12.00	5.50	13.75	1.34	5.32	30.0	37.8
2	7.85	14.50	5.90	13.75	1.70	5.90	41.0	52.2

